

### 10.3. Cleaning Equipment

- ① The equipment should be kept as clean basically. Do not use the solvents such as strongly volatile substance, thinner, benzene, etc.
- ② Put some soapy water to the soft cloth, and twist the water out of the cloth. Then, polish each part of the equipment.
- ④ As polishing the parts of lens or glass, get rid of dusts on the surface of lens with wind-blower and use a dry cloth.
- ⑤ Always keep it clean for a patient to use chinrest paper in chin rest, to clean it often in head rest.
- ⑥ Always clean the patient contact parts (such as chin rest and head rest) and Hand-washing (Operator: such as an iodophor or chlorhexidine gluconate) prior to disinfection.
- ⑦ When using an FDA or CE-cleared (as appropriate) disinfecting agent, carefully follow the instructions provided the manufacturer of the product.
- ⑦ For low-level disinfection (normally), the patient contact parts may be wiped with any of the following low level disinfectants Methods to disinfect to HRK-1 are as below:
  - Dry heat
  - Mechanical cleaning with disposable wipe / sterile gauze
  - Wipe with gauze soaked in alcohol or chemicals like hydrogen peroxide and Merthiolate
  - Soaking in chemicals like 70% isopropyl alcohol, 1:1000 Merthiolate, 3% hydrogen peroxide and 1:10 diluted house hold bleach (sodium hypochlorite)

Solution	Manufacturer	Cleaner/ Disinfectant	Active ingredient	Cleared/Approved for use in
Alkazyme	Alkapharm	Cleaner	Proteolyticenzyme, Quat, Ammonia	Europe
Klenzyme	Steis/Calgon Corp.	Cleaner	Enzymes	USA & Europe

- For high-level disinfection (if needed), the patient contact parts may be wipe using one of the following disinfection agents:

Solution	Manufacturer	Cleaner/ Disinfectant	Active ingredient	Cleared/Approved for use in
Cidex OPA	Adavaced Sterilization Product	Disinfectant	Orthophtaladehyde	USA & Europe

## 10.4. Cleaning

### 10.4.1. Cleaning the measuring window

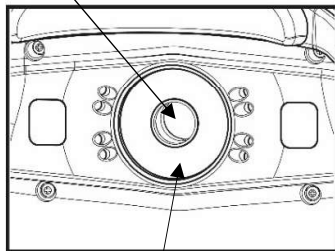
When the measuring window gets fingerprints or dust on it, the reliability of the measured values is impaired substantially. Check for dirt on the measuring window before use, and then clean it if it is dirty.

- 1) Blow off and dust on the measuring window with a blower.
- 2) Wrap lens cleaning paper around a thin stick such as a chopstick (or cotton swab) and wipe the lens of the measuring window with a material moistened with alcohol.

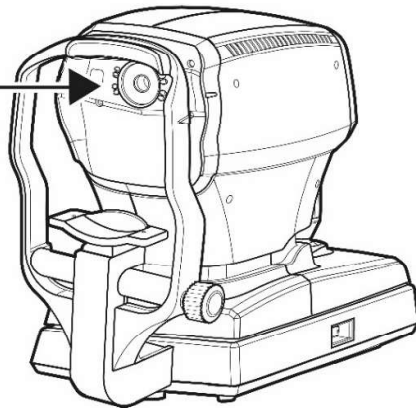
#### CAUTION

Use a thin stick that will not scratch glass lenses.  
Wipe lightly from the center of the measuring window to the outside in a circular motion

Measuring window



Mire ring



### 10.4.2. Cleaning the mire ring

When the mire ring gets fingerprints or dust on it, the reliability of the measured values is impaired substantially. Check for dirt on the mire ring before use, and then clean it if it is dirty.

- 1) If the mire ring and the cover get soiled, wipe the surface with dry cloth.
- 2) If the mire ring and the cover are noticeably stained, wipe the surface with a damp cloth which is moistened in a tepid water solution of neutral detergent.

#### CAUTION

Do not clean plastic parts with solvents. Benzene, thinner, ether and gasoline may cause discoloring and decomposition.

### 10.4.3. Cleaning the forehead rest and chin rest

- Wipe the forehead rest and the chin rest with a cloth moistened with a tepid solution of neutral detergent for kitchenware